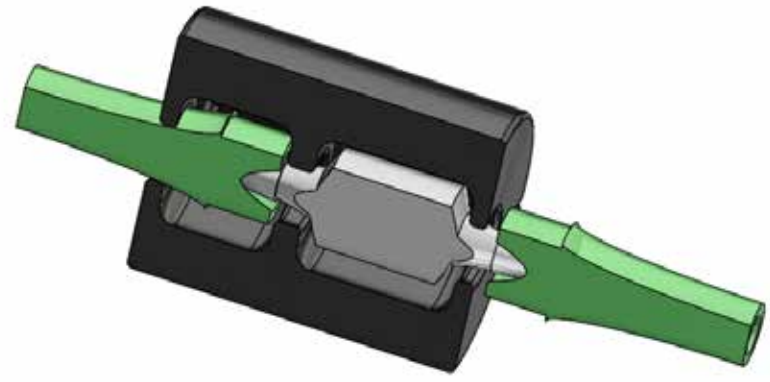


Locking Clamp for Thermal fuses



VA Pittsburgh Healthcare System

Why this research is important:

Thermal fuses that prevent oxygen tank fires from reaching the user's face are routinely unhooked from the oxygen line when users switch between tanks (i.e., portable and home). This makes the fuse useless, as it is not in the system, and leaves the user susceptible to severe facial burns in the event of a fire.

Summary:

The locking clamp is a small device which will secure the thermal fuse to the hose connected to the mask so that it will always be connected to the system in use.

How the research will improve Veterans' lives:

This device will maintain a higher level of safety for Veterans using oxygen systems by preventing the unintended removal of the safety thermal fuse that prevents possible oxygen system fires from reaching their face.



Dr. Jonathan Duvall



U.S. Department of Veterans Affairs

Veterans Health Administration
Office of Research & Development